


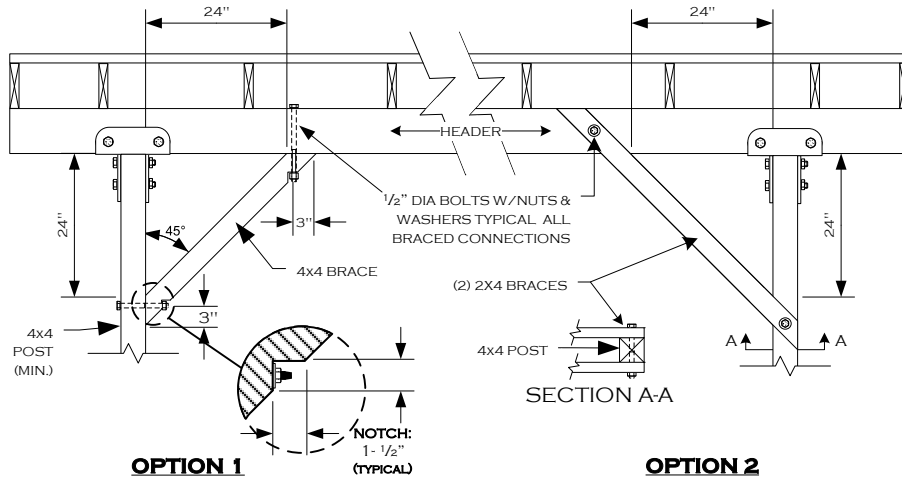
TABLE "A" RAFTER SPANS (DOUGLAS FIR #2 OR BETTER)			TABLE "B" HEADER SIZE & SPANS (DOUGLAS FIR #2 OR BETTER)		TABLE "C" FOOTING SIZE	TABLE "D" LEDGER BOLTING Δ	
SIZE	SPACING	SPAN	RAFTER SPAN	HEADER	BASED ON 1000 P.S.F. SOIL BEARING PRESSURE.	ALL LAG BOLTS SHALL HAVE 1/4" PRE-DRILLED HOLES - (SEE NOTE 2)	
				SPAN			SIZE
2 x 4	12" O.C.	9' - 10"	UP TO 12'-0"	8'-0" MAX	4 x 6	18" SQ. X 12" DEEP	1/2" DIA. X 5" LONG AT 16" O.C. STAGGERED
	16" O.C.	8' - 11"		10'-0" MAX	4 x 8	18" SQ. X 12" DEEP	
	24" O.C.	7' - 8"		12'-0" MAX	4 x 10	18" SQ. X 12" DEEP	
	32" O.C.	*6' - 3"		14'-0" MAX	4 x 12	18" SQ. X 12" DEEP	
2 x 6	12" O.C.	15' - 4"	12'-1" TO 20'-0"	8'-0" MAX	4 x 8	24" SQ. X 12" DEEP	(2) 3/8" DIA X 5" LONG AT 16" O.C.
	16" O.C.	13' - 9"		10'-0" MAX	4 x 10	24" SQ. X 12" DEEP	
	24" O.C.	11' - 3"		12'-0" MAX	4 x 12	24" SQ. X 12" DEEP	
	32" O.C.	*9' - 7"		14'-0" MAX	4 x 14	24" SQ. X 12" DEEP	
2 x 8	12" O.C.	20' - 0"	NOTES: 1. TWO 2X MEMBERS MAY BE SUBSTITUTED FOR ONE 4X HORIZONTAL FRAMING MEMBER. 2. LAG BOLTS MUST FULLY ENGAGE A WOOD STUD OR RIM JOIST AND BE PROVIDED WITH APPROPRIATE WASHERS. LAG BOLTS SHALL BE LOCATED A MINIMUM OF 1-1/2" FROM THE TOP OR BOTTOM OF THE LEDGER. 3. NOT DESIGNED TO BE ENCLOSED - ADDITIONAL ENGINEERING ANALYSIS WILL BE REQUIRED IF ENCLOSED. 4. SEE PAGE 2 OF 2 FOR CONSTRUCTION DETAILS. 5. ARTIFICIAL LIGHTING IS REQUIRED IN ROOMS THAT HAVE WINDOW OPENINGS INTO THE COVERED PATIO AREA IF THE TOTAL WINDOW AREA IN THAT ROOM IS LESS THAN 10% OR THE FLOOR AREA OF THE ROOM OR 20 SQUARE FEET, WHICHEVER IS GREATER.				
	16" O.C.	18' - 2"					
	24" O.C.	14' - 10"					
	32" O.C.	*12' - 8"					
2 x 10	12" O.C.	20' - 0"					
	16" O.C.	20' - 0"					
	24" O.C.	18' - 11"					
	32" O.C.	*16' - 2"					
4 x 4	24" O.C.	10' - 0"					
	32" O.C.	*9' - 3"					
	48" O.C.	*7' - 8"					
4 x 6	24" O.C.	15' - 11"					
	32" O.C.	*13' - 9"					
	48" O.C.	*11' - 3"					
4 x 8	24" O.C.	20' - 0"					
	32" O.C.	*18' - 2"					
	48" O.C.	*14' - 10"					

* THIS SPACING AND SPAN IS FOR LATTICE PATIO COVERINGS ONLY.

	CITY OF BEAUMONT	
	BUILDING DEPARTMENT	
PATIO COVER STANDARD		
(951) 769-8529	550 E. 6TH STREET, BEAUMONT, CA 92223	
5/6/2022	PAGE 1 OF 2	

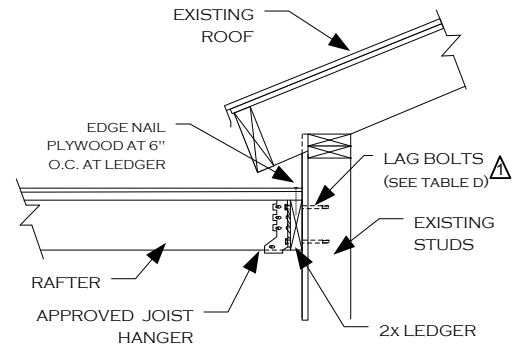
KNEE BRACE DETAIL AT END POSTS

(REQUIRED WHEN RAFTER SPAN EXCEEDS 12 FT.)



LEDGER ATTACHMENT

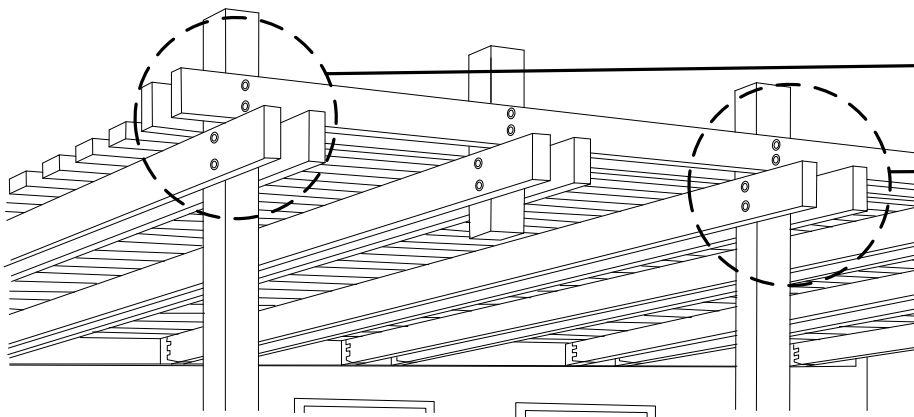
DETAIL



NOTES:

1. USE A CONTINUOUS 2X LEDGER – SAME DEPTH AS RAFTER OR LARGER
2. SEE TABLE "D" FOR BOLTING REQUIREMENTS

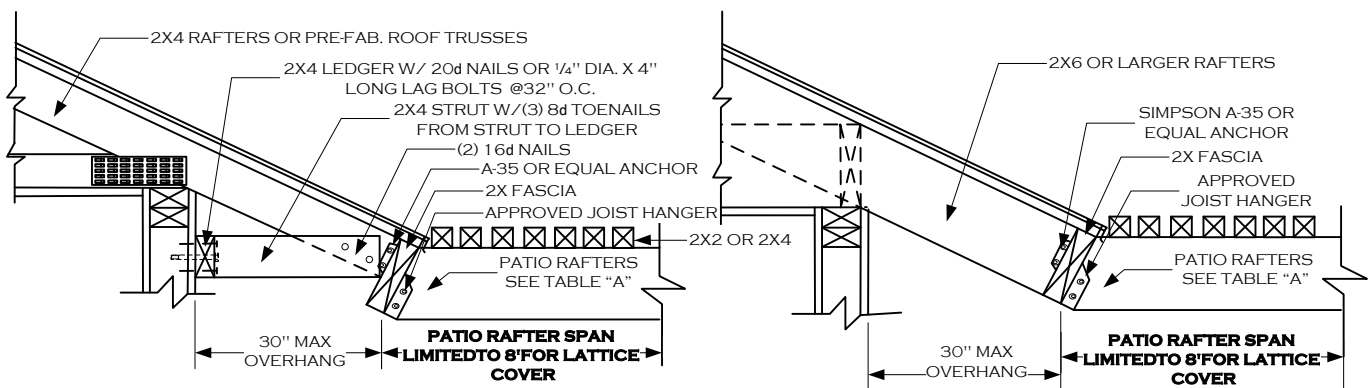
INVERTED HEADER DESIGN OPTION (LATTICE ONLY)



2X FASCIA (OVERHANG) ATTACHMENT – LATTICE ONLY

OPTION 1

OPTION 2



NOTE: VERIFY STRUCTURAL SOUNDNESS OF ROOF RAFTERS FOR DECAY OR TERMITE DAMAGE, AND REPLACE WITH LIKE MATERIALS AS NEEDED, AFTER CONSULTATION WITH THE BUILDING DEPARTMENT.



(951) 769-8529

**CITY OF BEAUMONT
BUILDING DEPARTMENT**

PATIO COVER STANDARD

550 E. 6TH STREET, BEAUMONT, CA 92223

5/6/2022

PAGE 2 OF 2